

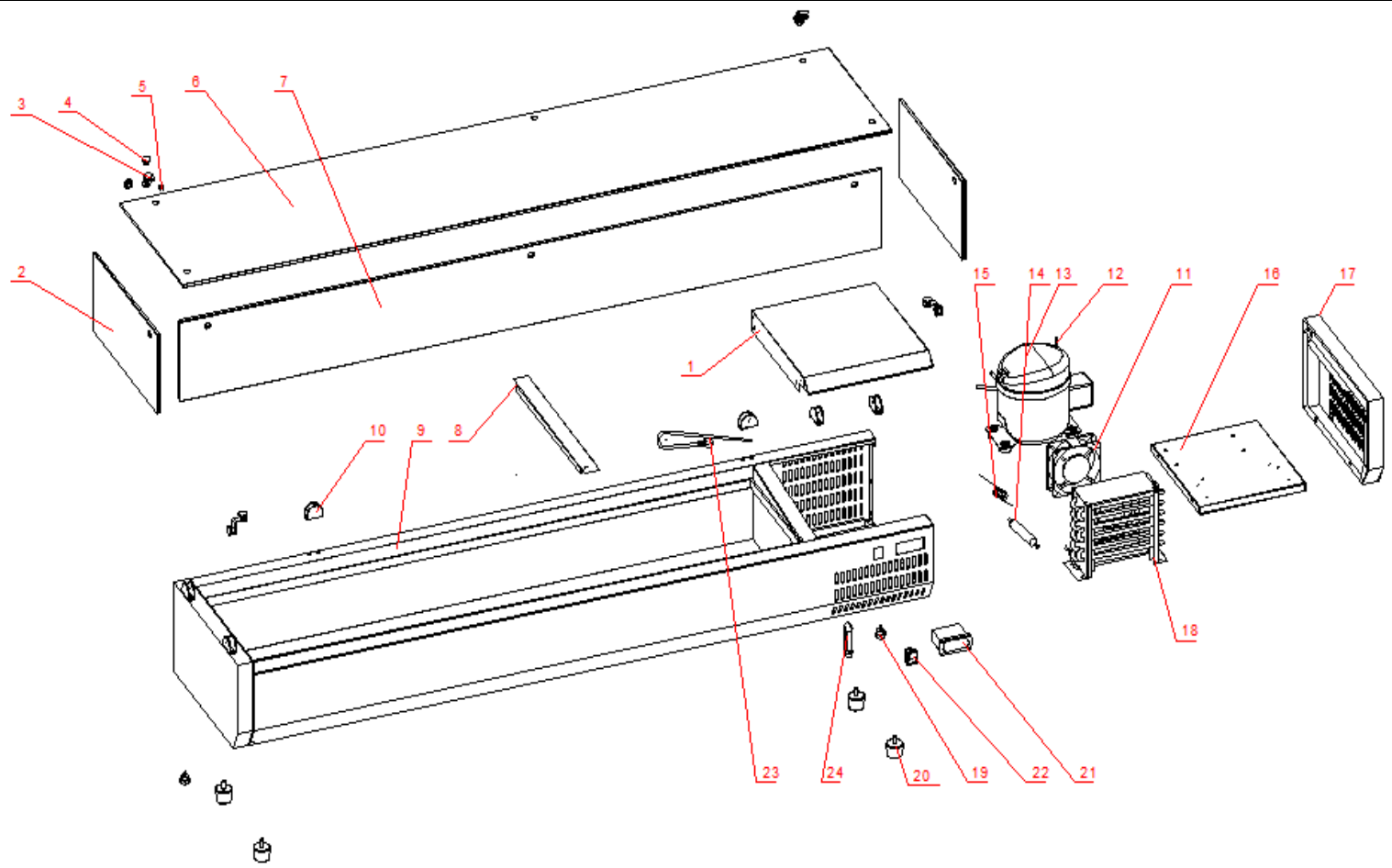
TOP VITRINE GHS2200

Supplier Hangzhou Kalifon Stainless Steel kitchen Equipment Co.,Ltd

Version no.: 1

Documents Valid from - to: GHS2200YX - now

Example	Explanation Lot-no.: "Model-no." + "Capital letter for the year" + "Romanian numbers for the month"											
	GRV1100 RIII --> Production date March 2016											
	GRV1100 TX --> Production date October 2018											
Year	Q	R	S	T	U	V	W	X	Y	Z		
	2015	2016	2017	2018	2019	2020	2021	2022	2023	2024		
Month	Jan	Feb	Mar	Apr	May	Jun	Jul	Aug	Sep	Oct	Nov	Dec
	I	II	III	IV	V	VI	VII	VIII	IX	X	XI	XII



Item No.	Part No.	Name	QTY
1	85040500053	top cover	1
2	10500100064	Left and right glass	2
3	10500400169	Glass clamp	5
4	10500400176	Glass clamp screw	10
5	10600100040	M4 screw	6
6	10500100069	Up glass	1
7	10500100058	Back galss	1
8	85040500016	Removable bar	8
9	81140500008	Body	1
10	10501000010	U Glass clamp	6
11	10300700001	Axial fan	1
12	10300400163	Add refrigerant pipe	1
13	10300100125	Compressor	1
14	10300400007	Capillary	1
15	10300800002	Dry filter	1
16	10500400418	Group Base	1
17	85040500065	Left panel	1
18	10300300044	Condenser	1
19	10600100145	Limit screw	2
20	10500700017	fixed foot	4
21	10400500012	Digital controller	1
22	10400700017	Switch	1
23	10400300004	power cord	1
24	10700600031	Probe cover	1